

LIQUID HANDLING TECHNOLOGY

ErgoOne™

Adjustable Volume Pipet



User Manual

Mode d'emploi

Manual de instrucciones

The logo for USA Scientific, featuring the word 'USA' in large, bold, red letters with a blue swoosh underneath, and the word 'SCIENTIFIC' in smaller, blue, sans-serif capital letters below it.

ErgoOne™

Adjustable Volume Pipet

English 1

Français 23

Espanol 45

Contents

1. Introduction	2
2. Operation	3
2.1 Description	3
2.2 Setting the Volume	4
2.3 Pipetting	5
2.4 Pipet Identification	7
2.5 Safety Notes	7
3. Troubleshooting	8
4. Cleaning and Decontamination	9
5. Technical Data	10
6. Calibration	11
7. Maintenance	12
7.1 Maintaining Single-Channel Pipets	13
7.2 Maintaining Multi-Channel Pipets	16
8. Ordering Information	18
9. Pipet Tip Compatibility	20
10. Warranty	22

1. Introduction



ErgoOne™ variable volume pipets are designed in accordance with the latest ergonomic principles. The pipet is extremely easy to use and has minimal operating forces to help prevent hand fatigue. ErgoOne™ provides accurate and precise pipetting in a variety of volume ranges and is available in single-channel, eight-channel and twelve-channel models.

ErgoOne™

At a glance:

- /// Comfortable ergonomic design
- /// Easy to use volume adjustment mechanism
- /// Volume lock
- /// Minimal operating forces
- /// Extremely accurate and precise
- /// Lightweight
- /// Low-maintenance high-quality product
- /// Fully autoclavable

2. Operation

2.1 Description



Along with your pipet, you should also have:

- Declaration of conformity with test record
- Labels for personalization/identification
- Auxiliary tool (single-channels up to 1ml only)
- Pipet filters (5ml only)



TipOne® pipet tips are recommended to obtain the best results with ErgoOne™.

2.2 Setting the Volume

Unlock the volume adjustment catch by pulling up the volume control button ① (Fig. 1), until you hear a click. Turn the volume control button ① clockwise to reduce the aspirated volume, or counter clockwise to increase it. The set volume is shown in the four-digit volume display ④ from top to bottom. The white line indicates the decimal point. After the volume is set, push the volume control button ① back to the locked position until you hear a click. The pipet is now ready to use.

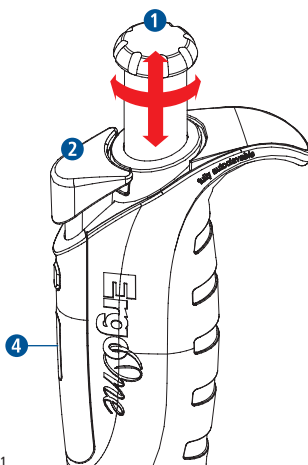


Fig. 1

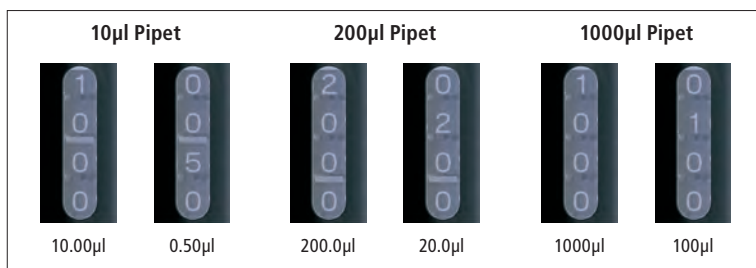
Please note the minimum and maximum volume range of your pipet (Table 1). You have reached the end of the volume adjustment range when it becomes more difficult to turn the button.

Do not use excessive force!

ErgoOne™ Volume Ranges		
ErgoOne™ Model	Volume Range (min./max.)	Color Code
2.5µl	0.1–2.5µl	Red
10µl	0.5–10µl	Red
20µl (micro cone)	2–20µl	Red
20µl (standard cone)	2–20µl	Yellow
100µl	10–100µl	Yellow
200µl	20–200µl	Yellow
300µl	30–300µl	Green
1000µl	100–1000µl	Blue
5000µl	500–5000µl	Violet

Table 1

Examples of typical volume displays:



2.3 Pipetting

Use the pipet only when a tip is attached!

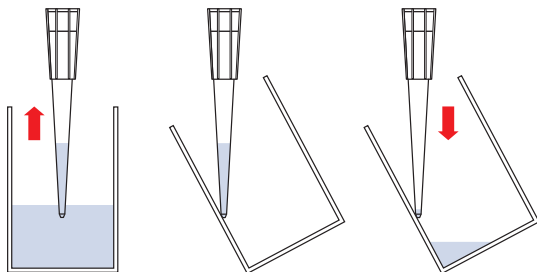
Liquid aspiration

Set the required volume (see 2.2 Setting the volume) and attach the appropriate size pipet tip(s) to the tip cone(s) ⑦:

- Press the volume control button ① until the first stop position.
- Hold the pipet upright and immerse approximately 3mm of the pipet tip into the liquid.
- Allow the volume control button ① to return slowly back to the starting position.
- Hold the pipet tip in the liquid for a further 2 seconds to avoid drawing in air.
- Remove the pipet tip from the liquid.

Dispensing fluids

- Place the pipet tip against the inner wall of the tube or vessel, at an angle of 30–45°.
- Press the volume control button ① slowly and evenly until it reaches the first stop position.
- Wait one second and press the volume control button ① down to the second stop position to empty the pipet tip fully (blow out).
- Keeping the volume control button ① pressed down, lightly draw the pipet tip up the inner wall of the tube to remove any residual liquid.
- Allow the volume control button ① to return slowly back to the starting position.
- Press the tip ejector button ② to eject the pipet tip.



Reverse pipetting

When pipetting critical viscous media, the precision and accuracy can be increased through 'reverse pipetting'. In reverse pipetting, a larger volume is aspirated than is indicated on the volume display and the blow out step is omitted. As a result, a small amount of residual liquid remains in the pipet tip after the pipetting process. How to reverse pipet:

- Secure the pipet tip.
- Press the volume control button ① until it reaches the second stop position.
- Hold the pipet upright and immerse the pipet tip approx. 3mm into the liquid.
- Allow the volume control button ① to return slowly back to the starting position.
- Hold the pipet tip in the liquid for a further 2 seconds to avoid drawing in air.
- Remove the pipet tip from the liquid.
- Place the pipet tip against the inner wall of the tube or vessel, at an angle of 30–45°.
- Press the volume control button ① slowly and evenly until it reaches the first stop position (do not use the blow-out function).
- Keeping the volume control button ① pressed, remove the pipet tip from the tube or vessel before blowing out the residual liquid into a separate container.
- Allow the volume control button ① to return slowly back to the starting position.
- Press the tip ejector button ② to eject the pipet tip.

Note: Pre-wetting

Some liquids (eg. solutions containing protein, organic solvents, or viscous liquids) leave a film on the inside of the pipet tip. To ensure maximum precision and accuracy, USA Scientific recommends pre-wetting each new tip first by aspirating and dispensing the liquid two or three times. Another alternative is to use TipOne® RPT ultra low retention pipet tips. TipOne® RPT tips have optimized surfaces that ensure improved delivery of detergents, viscous liquids, small volumes, and other difficult samples. Ask your local USA Scientific representative for more information or go to www.usascientific.com.

2.4 Pipet Identification

Your pipet is supplied with autoclave-resistant labels in four different colors. These can be attached to the surface above the finger rest to personalize/help identify your pipet (Fig. 2).

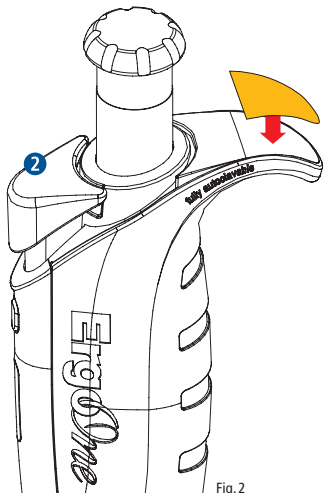


Fig. 2

Each ErgoOne™ pipet has its own serial number. This serial number can be found behind the tip ejector button ② when it is pressed down.

2.5 Safety Notes

- Only use the pipet when a pipet tip is attached.
- Never allow liquid to enter the pipet.
- Do not set the pipet down when the pipet tip is full.
- Do not set the volume outside the specified range.
- Do not use any aggressive solvents or acetone to clean the pipet.
- Only use original parts and accessories.
- Confirm that aggressive chemicals or organic solvents are compatible with the pipet and pipet tips before beginning to pipet.
- Avoid temperature differences between the pipet and pipet tip as this could lead to incorrect volume dispensing.
- Monitor the dispensing volume of liquids that strongly differ from the physical properties of water, eg. with different density (see also section 6 Calibration).

3. Troubleshooting

The following table provides information about the possible causes of problems with suggestions as to how these can be fixed. If you are not able to fix the problem please call USA Scientific at 800-522-8477 or 352-237-6288. You may also contact your local representative or send an email to infoline@usascientific.com.

Troubleshooting		
Problem	Possible cause	Action
Pipet tip drips	Incorrect pipet tip	Use TipOne®
	Tip is loose	Attach the tip securely
	Tip cone loose	Tighten the tip cone
	Debris between the tip and tip cone	Clean the tip cone and use a new tip
	Seals/O ring damaged	Replace the affected seals/O rings
	Debris between the piston and seal	Clean the seal and piston and re-lubricate
	Piston insufficiently lubricated	Clean and re-lubricate the piston
Volume control button sticks/is not smooth	Piston contaminated	Clean and re-lubricate the piston
	Seals contaminated	Unscrew lower housing, clean all seals and replace if necessary
	Exposure to solvent vapors	Unscrew the lower housing and allow to air. Clean and lightly lubricate the piston.
Pipet blocked, not enough intake of liquid	Liquid has penetrated the tip cone and dried	Unscrew the lower housing and rinse with warm water. Then rinse with distilled water and allow to dry.
		Replace tip cone
Drop formation on inner wall of pipet tip	Uneven wetting of pipet tip	Attach new pipet tip
	Using pipet tips with poor wetting properties	Use original USA Scientific TipOne® or TipOne® RPT pipet tips
Pipetting volume incorrect	Tip taken from liquid too quickly	Extract tip from liquid slowly
	Liquid with high vapor pressure used	Use positive displacement system, eg. USA Scientific Repeating Pipet
	The pipet may require recalibration	Refer to section 6

4. Cleaning and Decontamination

External cleaning

- Check the pipet each day for external contamination.
- In particular, make sure the tip cone ⑦ is clean and undamaged.
- ErgoOne™ pipets should be cleaned regularly. They may also be placed under UV light if necessary.

Internal cleaning

- Regularly check the pistons, springs, seals and the tip cone. For internal cleaning, we recommend a mild detergent, 60% isopropanol or a commercially available sterilizing agent.
- After cleaning, lightly lubricate the piston (for piston lubrication, see section 8 Ordering Information).
- For information about disassembling the pipet, see section 7 Maintenance.

Autoclaving

ErgoOne™ can be fully autoclaved (121°C, 1 bar, 20 minutes). To increase effectiveness, we recommend removing the tip ejector ⑤. Also loosen the tip cone ⑦ by rotating it once (single-channel only). After autoclaving, dry the pipet at low temperature. When all parts have fully cooled, re-tighten the pipet tip holder and replace the tip ejector sleeve.

Note: The ErgoOne™ piston material is an innovative, wear-resistant polymer, treated with a special lubricant during manufacture. During normal use, it is not necessary to re-lubricate. If the pipet is frequently autoclaved it may be necessary to re-lubricate the piston (see Internal cleaning).*

**The piston material for the red color coded models is made from stainless steel*

5. Technical Data

Technical Data ErgoOne™ Pipets			
ErgoOne™ Single-Channel	Pipet Volume	Systematic Measurement Deviation (Inaccuracy)	Coincidental Measurement Deviation (Imprecision; CV)
0.1–2.5µl	0.1µl	±24%	±12%
	1.25µl	±2.5%	±1.5%
	2.5µl	±1.4%	±0.7%
0.5–10µl	1.0µl	±2.5%	±1.8%
	5µl	±1.5%	±0.8%
	10µl	±1.0%	±0.4%
2–20µl (micro tip cone)	2µl	±5.0%	±1.5%
	10µl	±1.2%	±0.6%
	20µl	±1.0%	±0.3%
2–20µl (standard tip cone)	2µl	±5.0%	±1.5%
	10µl	±1.2%	±0.6%
	20µl	±1.0%	±0.3%
10–100µl	10µl	±3.0%	±1.0%
	50µl	±1.0%	±0.3%
	100µl	±0.8%	±0.2%
20–200µl	20µl	±2.5%	±0.7%
	100µl	±1.0%	±0.3%
	200µl	±0.6%	±0.2%
100–1000µl	100µl	±3.0%	±0.6%
	500µl	±1.0%	±0.2%
	1000µl	±0.6%	±0.2%
500–5000µl	500µl	±2.4%	±0.6%
	2500µl	±1.2%	±0.25%
	5000µl	±0.6%	±0.15%
ErgoOne™ Multi-Channel	Pipet Volume	Systematic Measurement Deviation (Inaccuracy)	Coincidental Measurement Deviation (Imprecision; CV)
0.5–10µl	1.0µl	±8.0%	±5.0%
	5µl	±4.0%	±2.0%
	10µl	±2.0%	±1.0%
10–100µl	10µl	±3.0%	±2.0%
	50µl	±1.0%	±0.8%
	100µl	±0.8%	±0.3%
30–300µl	30µl	±3.0%	±1.0%
	150µl	±1.0%	±0.5%
	300µl	±0.6%	±0.3%
Measurement data determined in compliance with the test conditions for piston-stroke pipets according to EN ISO 8655			
Measurement carried out with original TipOne® pipet tips			

6. Calibration

During manufacture, ErgoOne™ pipets are aligned for transferring aqueous solutions and calibrated according to EN ISO 8655. We also recommend that you check your pipets at regular, defined intervals such as every, 3 or 12 months.

Realignment is not usually necessary with normal use. However, if your pipets still do not achieve the specified limiting values (see section 5 Technical Data), check the following points:

- Is the pipet seal broken?
Is it dripping? (see section 3 Troubleshooting)
- Is the density of the liquid you are using different from that of water?
- Are there any temperature differences between the pipet, liquid and air?
- Was the liquid pipetted slowly and evenly?

If the check is unsuccessful, calibrate and realign your pipet. This can be carried out according to the following instructions. Alternatively, USA Scientific offers a professional pipet Calibration Service with a fast turnaround.

Note that each alignment means a zero point shifting. The amount by which the pipet setting is changed is constant across the entire measurement range. If for example 1000µl is realigned by 10µl (1%) for a 100–1000µl pipet, then for 100µl, the pipet must also be corrected by 10µl = 10%.

Calibration & alignment

Calibration is a gravimetric analysis which requires an analytical balance adjusted to the pipetting volume, a weighing vessel and distilled water (room temperature).

General information

- Only use TipOne® pipet tips and attach these securely.
- Ensure that the pipet, pipet tips, and water are at the same temperature
- Pre-wet each tip with distilled water at least three times.
- Always pipet evenly and slowly and hold the pipet upright.
- Immerse no more than 3mm of the pipet tip into the liquid when taking a sample.
- Position the pipet at an angle of 30–45° to the inner wall of the tube when dispensing liquid.
- All channels of a multi-channel pipet must be checked separately.

Implementation

- Adjust the pipet to the required nominal volume.
- Pipet ten times, weighing and recording individual measurements.
- Calculate the mean value:

$$\text{Mean value } x = \frac{\sum xi}{n}$$

xi = weighing results

n = number of individual weighings

- Calculate the corresponding volume:

$$\text{Volume } (\mu\text{l}) = \frac{x \text{ (mg)}}{\text{Density of liquid}}$$

x = calculated mean value

The calculated volume corresponds to the actual setting of your pipet (the density of water at 20°C = 0.9982 g/ml).

- If realignment is necessary, open the volume adjustment catch by pulling the volume control button ❶ until you hear a click. Remove the cover of the alignment unit ❸. Slide the button down, using a pointed object or pen (with the nib retracted), and (while holding the button down) turn the volume control button ❶ to change the piston stroke of the pipet (the volume display remains unchanged). Turn the volume control

button ❶ clockwise to increase the volume, counter clockwise to reduce the volume (see table 2 for details). Once alignment is complete, push the volume control button ❶ down again until you hear a click. Replace the alignment unit ❸ cover, and the pipet is ready for use again.

A full rotation of the volume control button 1 corresponds to the following volume change:

Volume Change	
ErgoOne™ Single-Channel	Approximate Volume Change
0.1–2.5µl	0.13µl
0.5–10µl	0.7µl
2–20µl (micro cone)	1.4µl
2–20µl (standard cone)	1.4µl
10–100µl	7µl
20–200µl	14µl
100–1000µl	70µl
500–5000µl	340µl
ErgoOne™ Multi-Channel	Approximate Volume Change
0.5–10µl	0.7µl
10–100µl	7µl
30–300µl	14µl

Table 2

Note: Multi-channel pipets are only aligned on one channel. Attach a single tip to any channel and proceed as described above.

7. Maintenance

ErgoOne™ is a low maintenance pipet. However, individual working methods, length of application and internal quality control guidelines mean that regular monitoring and maintenance of your pipet is necessary.

Note: If you make any changes to the pipet or replace individual parts, a check with recalibration is required. If the pipet cannot be calibrated successfully or if a fault continues, contact USA Scientific.

7.1 Maintaining Single-Channel Pipets

The figures shown below refer to the 200 μ l model. They may differ slightly for other pipet models.

The maintenance work is carried out with the aid of the auxiliary tool supplied (tool not required for 5ml pipet) (Fig. 3)

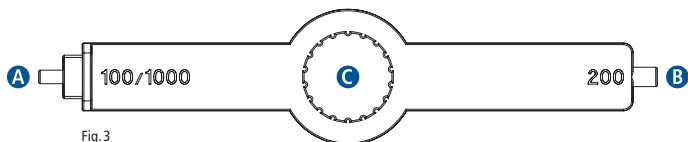


Fig. 3

- A** For removing and replacing the seals on the 100 μ l and 1000 μ l models
- B** For removing and replacing the seals on the 200 μ l model
- C** For loosening the lower housing of pipets up to the 1000 μ l model

Disassembly and cleaning up to the 1000 μ l model

- Fully depress the tip ejector button **2** and pull the tip ejector **5** down (Fig. 4).
- Carefully unscrew the tip cone **7** by turning the auxiliary tool **12** counter clockwise (ErgoOne™ 5ml tip cone can be removed without the auxiliary tool).

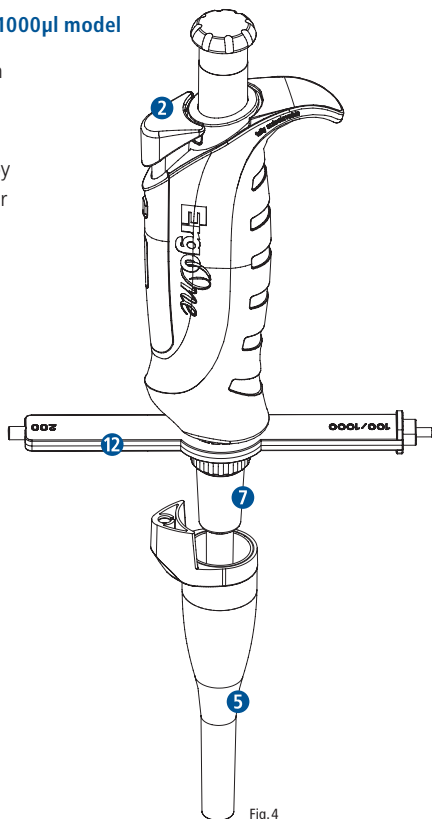


Fig. 4

- Remove the spring **8** and piston **9** (Fig. 5).
Note: The piston is subject to spring tension.
- Degrease the piston **9** using an alcoholic disinfectant and re-lubricate the piston with original USA Scientific piston grease (see section 8 Ordering Information). A damaged piston must be replaced.
- Reassemble the pipet in the reverse order.

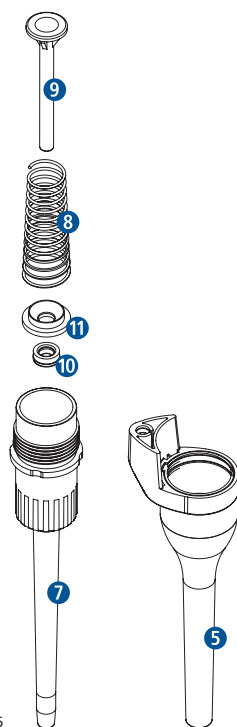


Fig. 5

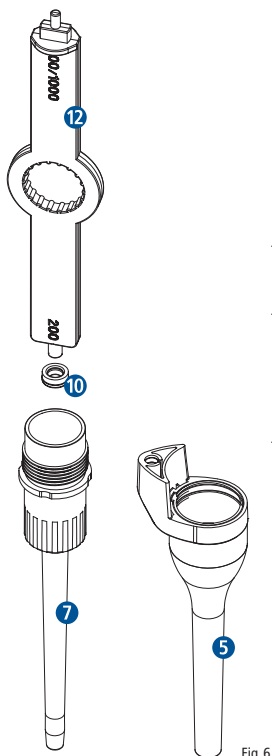


Fig. 6

Replacing seals for models up to 1000µl

- Remove the spacer ring **11** (only 100µl, 200µl and 1000µl models) (Fig. 5).
- Remove the sealing ring **10** from the tip cone using the auxiliary tool (Fig. 6) and replace it (see section 8 Ordering Information for replacement sealing ring).
- Reassemble the pipet in the reverse order.

Cleaning pistons and seals for 5ml model

- Fully depress the tip ejector button **2** and pull the tip ejector **5** down (Fig. 7).
- Unscrew the tip holder **7** and the piston unit **13** counter clockwise. Remove the O ring **14** and pull off the spacer ring **11** from the piston unit **13**. Now you can clean the spring **8** and piston **9** (Fig. 8).

Note: The piston is subject to spring tension. If the spring or piston should become damaged, the piston unit must be replaced (see section 8 Ordering Information for a replacement piston unit).

- Degrease the piston **9** using an alcoholic disinfectant and re-lubricate the piston with original USA Scientific piston grease (see section 8 Ordering Information).
- The pipet filter **15** is easy to remove by pulling it out of the tip cone **7**. Three replacement filters are included with the pipet. Further replacement filters are available (see section 8 Ordering Information).
- Reassemble the pipet in the reverse order.

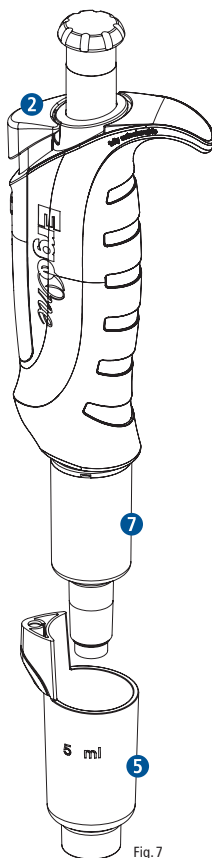


Fig. 7

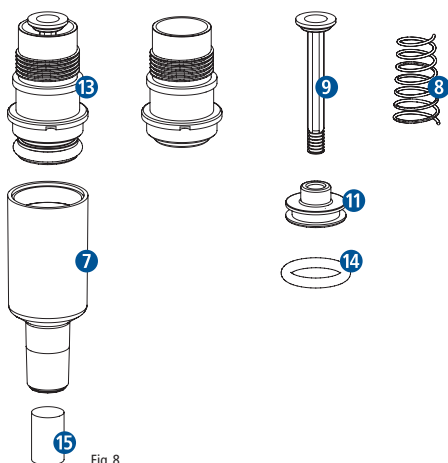


Fig. 8

7.2 Maintaining Multi-Channel Pipets

The figures shown below refer to the 100µl model. They may differ slightly for other pipet models.

Changing the O rings (100µl and 300µl models only)

O rings for the tip cone are removed and replaced using the optional metal tool (see section 8 Ordering Information).



Disassembling the lower housing of the pipet

- Fully unscrew the lower housing **16** by turning counter clockwise (Fig. 9).
- To remove the tip ejector **5** squeeze with finger and thumb on either side of the tip ejector, just below the ejector fixing **6**. This will allow you to slightly lift the ejector fixing **6** which will release the tip ejector **5**.
- Pull both clips **17** down and rotate the lower housing through 180° (Fig. 10).

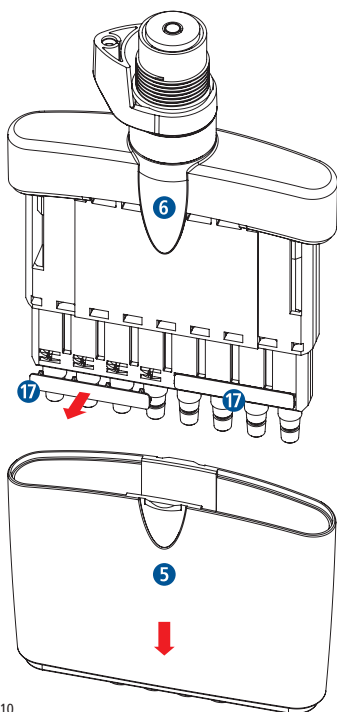


Fig. 10

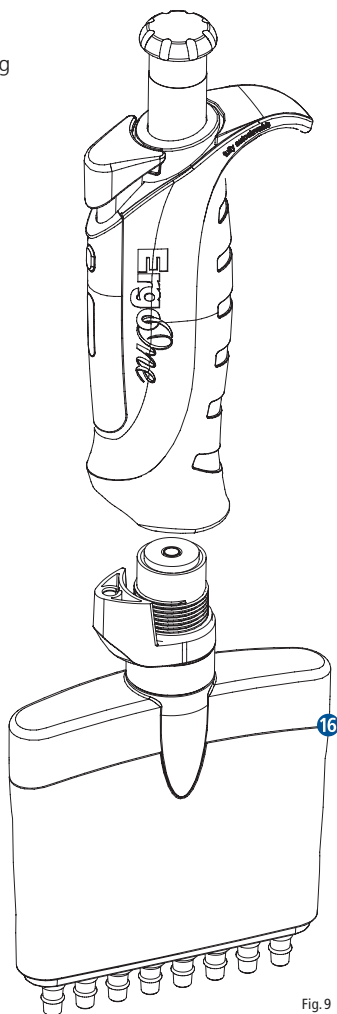


Fig. 9

Cleaning/changing the piston unit

- The piston unit 18 is released from the piston frame by turning it (Fig. 11).
- The piston cylinder 19 is pushed up (Fig. 12) and the entire piston unit 20 can now easily be removed from the front (Fig. 13) and cleaned externally using an alcoholic disinfectant. Re-lubricate the piston with original USA Scientific piston grease (see section 8 Ordering Information).
- The piston unit should not be disassembled. In the event of damage, it should be fully replaced (see section 8 Ordering Information for a replacement piston unit).
- Reassemble the pipet in the reverse order.

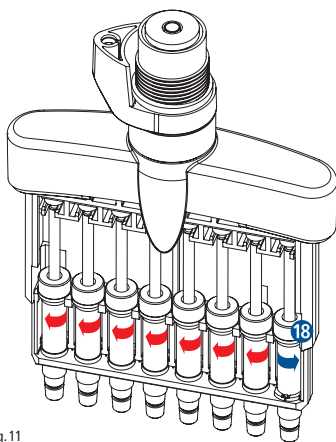


Fig. 11

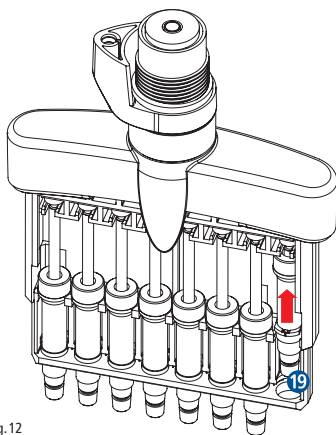


Fig. 12

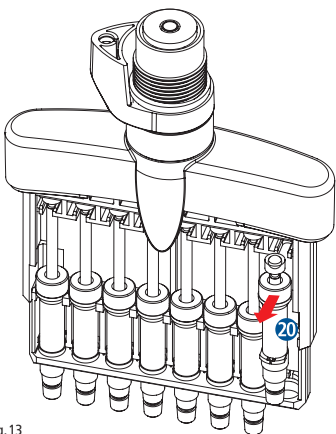


Fig. 13

8. Ordering Information

ErgoOne™ Pipets			
Volume Range	Catalog No.	Pack Size	Color Code
ErgoOne™ Single-Channel			
0.1 – 2.5µl	7100-0125	1	Red
0.5 – 10µl	7100-0510	1	Red
2 – 20µl (micro tip cone)	7100-0221	1	Red
2 – 20µl (standard tip cone)	7100-0220	1	Yellow
10 – 100µl	7100-1100	1	Yellow
20 – 200µl	7100-2200	1	Yellow
100 – 1000µl	7110-1000	1	Blue
500 - 5000µl	7150-5000	1	Violet
ErgoOne™ 8-Channel			
0.5 – 10µl	7108-0510	1	Red
10 – 100µl	7108-1100	1	Yellow
30 – 300µl	7108-3300	1	Green
ErgoOne™ 12-Channel			
0.5 – 10µl	7112-0510	1	Red
10 – 100µl	7112-1100	1	Yellow
30 – 300µl	7112-3300	1	Green

ErgoOne™ Accessories		
Description	Catalog No.	Pack Size
Universal Pipet Carousel Stand for up to 8 pipets	7200-0000	1
Silicone Grease for Pipet Piston	7200-0100	1
Tool for Single-Channel Pipets	7200-0101	1
Tool for Multi-Channel Pipets	7200-0102	1

Spare Parts for ErgoOne™ Single Channel			
Volume Range	Catalog No.		
	Tip Ejector	Tip Cone	Piston
0.1–2.5µl	7200-0200	7200-0210*	7200-0220
0.5–10µl	7200-0201	7200-0211*	7200-0221
2–20µl (micro tip cone)	7200-0202	7200-0212*	7200-0222
2–20µl (standard tip cone)	7200-0202	7200-0213*	7200-0222
10–100µl	7200-0204	7200-0214	7200-0224
20–200µl	7200-0205	7200-0215	7200-0225
100–1000µl	7200-0206	7200-0216	7200-0226
	Spring	Sealing Ring, Set of 3	Spacer Ring
0.1–2.5µl	7200-0230	Included with tip cone	-
0.5–10µl	7200-0230	Included with tip cone	-
2–20µl (micro tip cone)	7200-0230	Included with tip cone	-
2–20µl (standard tip cone)	7200-0230	Included with tip cone	-
10–100µl	7200-0230	7200-0244	7200-0250
20–200µl	7200-0230	7200-0245	7200-0250
100–1000µl	7200-0236	7200-0246	7200-0252
	Tip Ejector	Tip Cone	Piston Unit
	7200-0207	7200-0217	7200-0227
500–5000µl	Pipet Filter, Set of 10	-	-
	7200-0260	-	-

*The tip cone for the 0.1–2.5µl, 0.5–10µl and 2–20µl models includes sealing ring.

Spare Parts for ErgoOne™ Multi Channel			
Volume Range	O-Rings for Tip Cone, Set of 4	Piston Unit, Set of 2	Lower Part, Complete
ErgoOne™ 8-Channel			
0.5–10µl	-	7200-0320	7200-0330
10–100µl	7200-0310	7200-0321	7200-0331
30–300µl	7200-0310	7200-0322	7200-0332
ErgoOne™ 12-Channel			
0.5–10µl	-	7200-0320	7200-0335
10–100µl	7200-0310	7200-0321	7200-0336
30–300µl	7200-0310	7200-0322	7200-0337

9. Pipet Tip Compatibility

		Bulk	Rack	Sterile Racks	Refills	
ErgoOne™ Volume Range	TipOne® Pipet Tip	1000 Tips	10 x 96 Tips	10 x 96 Tips	10 x 96 Tips	
0.1–2.5µl	10µl Graduated	1111-3000	1111-3800	1111-3810	1111-3700	
0.5–10µl	10µl Graduated	1111-3000	1111-3800	1111-3810	1111-3700	
2–20µl (Micro Tip Cone)	10µl XL Graduated	1110-3000	1110-3800	1110-3810	1110-3700	
0.5–10µl	10µl (Eppendorf Style)	1111-4000	1111-4800	1111-4810	-	
2–20µl (Standard Tip Cone)	20µl Bevelled	-	-	-	-	
	100µl Bevelled	-	-	-	-	
	200µl Graduated	-	-	-	-	
	200µl	1111-0000	1111-0800	1111-0810	1111-0700	
	200µl Yellow	1111-0006	1111-0806	1111-0816	1111-0706	
	10–100µl	200µl Bevelled	1111-1000	1111-1800	1111-1810	1111-1700
	20–200µl	200µl Yellow, Bevelled	1111-1006	1111-1806	1111-1816	1111-1706
		200µl Bevelled, Graduated	1110-1000	1110-1800	1110-1810	1110-1700
		200µl Yellow, Bevelled, Graduated	1110-1006	1110-1806	1110-1816	-
		300µl Graduated	1110-8000	1110-8800	1110-8810	1110-8700
100–1000µl	1000µl	-	-	-	-	
	1000µl Graduated	1111-2020	1111-2820	1111-2830	1111-2720	
	1000µl Blue, Graduated	1111-2021	1111-2821	1111-2831	1111-2721	
	1250µl XL (1000µl XL Filter)	1112-1020	1112-1820	1112-1830	1112-1720	
		250 Tips	10 x 50 Tips	10 x 50 Tips		
500–5000µl	5000µl Graduated, Macro	1050-0000	1050-0700	1050-0710	-	

When using TipOne® RPT tips please recalibrate your pipet for best accuracy.

Stack Racks	Stack Racks Sterile	Sterile Filter Tips	RPT Racks	RPT Racks Sterile	RPT Refills	RPT Sterile Filter Tips
10 x 96 Tips	10 x 96 Tips	10 x 96 Filter Tips	10 x 96 Tips	10 x 96 Tips	10 x 96 Tips	10 x 96 Filter Tips
1111-3200	1111-3210	1121-3810	1161-3800	-	1161-3700	1181-3810
-	-	1120-3810	-	-	-	1180-3810
-	-	1121-4810	-	-	-	-
-	-	1120-1810	-	-	-	1180-1810
-	-	1120-1840	-	-	-	1180-1840
-	-	1120-8810	-	-	-	1180-8810
1111-0200	1111-0210	-	-	-	-	-
1111-0206	-	-	-	-	-	-
1111-1200	1111-1210	-	1161-1800	-	1161-1700	-
1111-1206	-	-	-	-	-	-
1110-1200	-	-	-	-	-	-
1110-1206	-	-	-	-	-	-
-	-	1120-8810	-	-	-	-
-	-	1126-7810	-	-	-	-
-	-	-	-	-	-	-
-	-	-	-	-	-	-
-	-	1122-1830	1161-1820	-	1161-1720	1182-1830
-	-	-	-	-	-	-

10. Warranty

Please check that all goods have been delivered and are intact. If there are any problems, please contact our Customer Service department. The ErgoOne™ Limited Warranty is effective for 36 months from the date of delivery when the product is used according to the instructions. Damage caused by improper use is not covered. This Limited Warranty covers, at the sole discretion of USA Scientific, repairs to or replacement of the equipment. Our “General Terms and Conditions” apply.

USA Scientific reserves the right to make changes to specifications without prior notice in order to implement short-term innovations.

ErgoOne™ pipets are manufactured to high quality standards. Each pipet is marked with an individual serial number behind the tip ejector button. The test results of the EN ISO 8655 quality test are also documented in a test record. The test record is delivered as a separate “Declaration of Conformity” document in each package.

Notes:

USA Scientific, Inc.

PO Box 3565

Ocala, FL 34478

Ph: 800-522-8477

352-237-6288

Fax: 352-351-2057

infoline@usascientific.com

www.usascientific.com

